



CB 184

LIST OF THE EXPLODED VIEWS



SHELL - ABS

SHELL - STAINLESS STEEL

COOLING SYSTEM

HYDRAULIC CIRCUIT

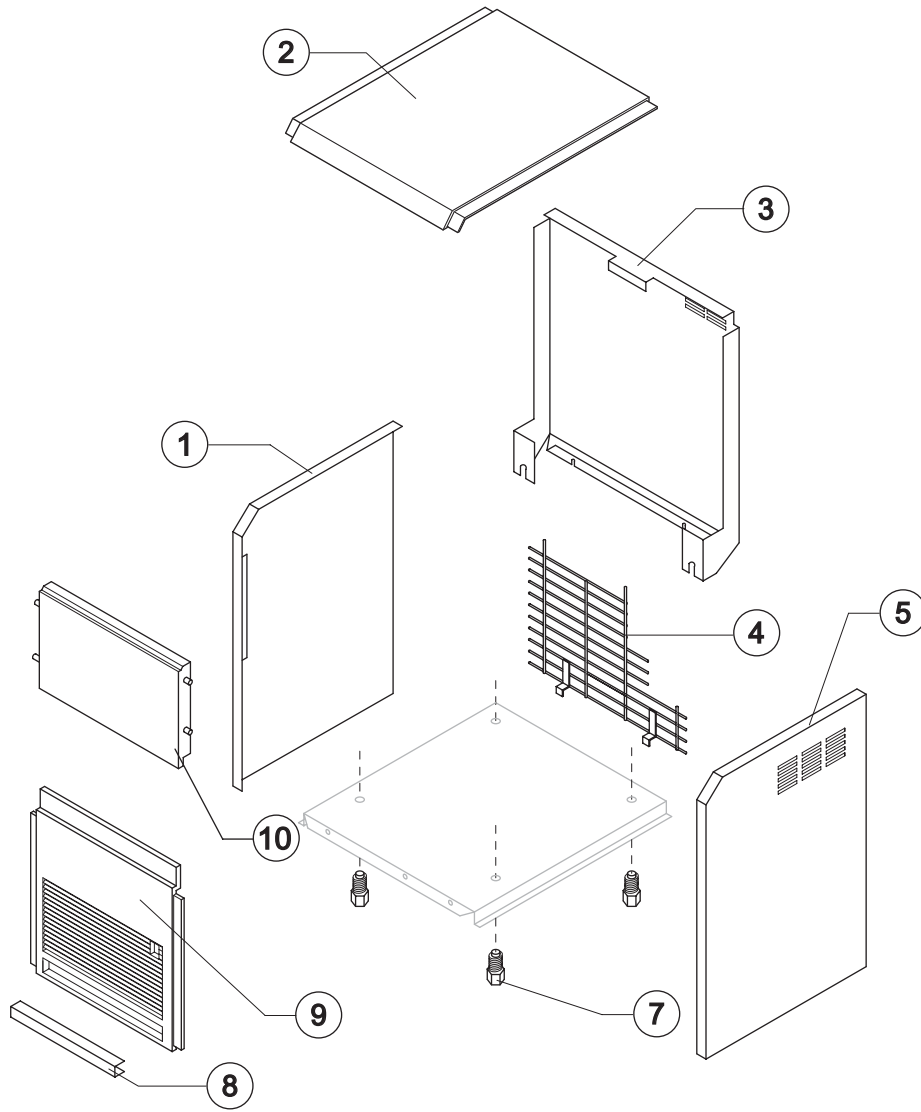
SPRAYER PUMP

ELECTRIC PARTS



CB 184

SHELL - ABS



Panels - Blue Version

Ref.	Spare Description	Code
1	Left Side Panel	10061
2	Top	10062
5	Right Side Panel	10060
8	Screws Cover	10069
9	Front Grid Panel	10063
10	Door	10081

Panels - Grey Version

Ref.	Spare Description	Code
1	Left Side Panel	10105
2	Top	10102
5	Right Side Panel	10099
8	Screws Cover	10098
9	Front Grid Panel	10101
10	Door	10103

Common Finishes

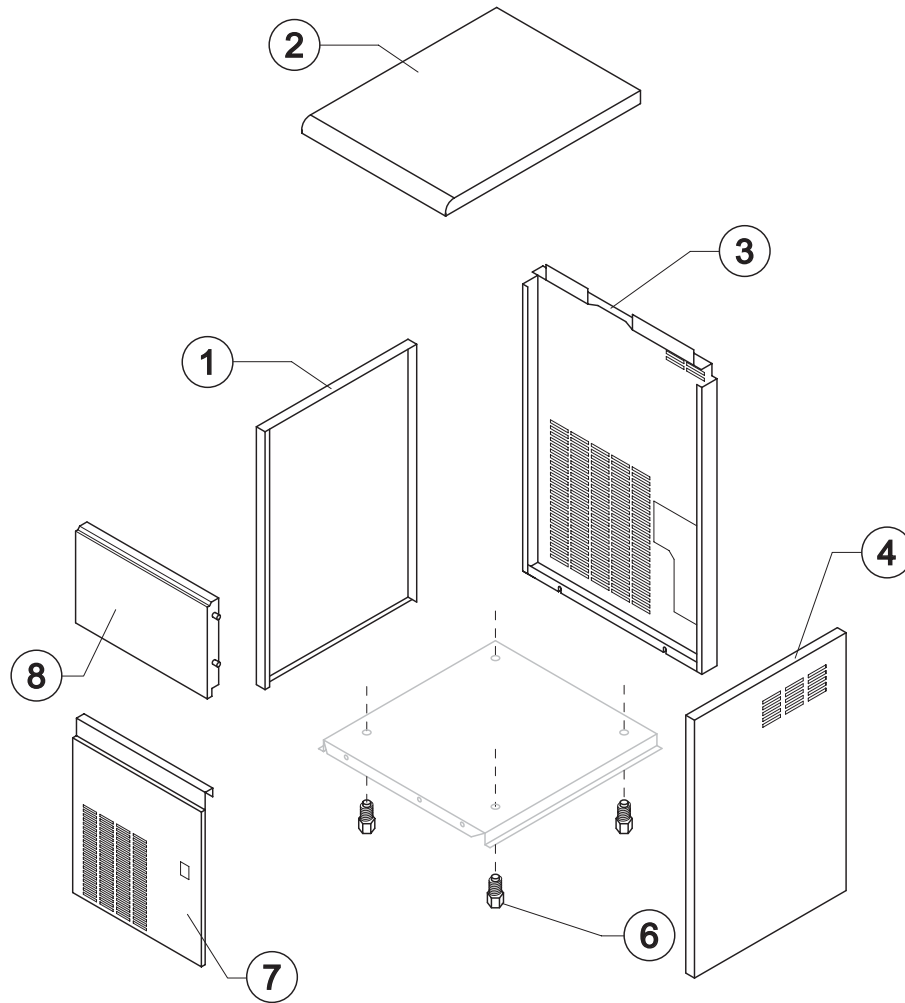
Ref.	Spare Description	Code
3	Rear Panel	21064
4	Rear Grid	D12028
7	Foot	10017

Rev. 17 - 12/03/2019

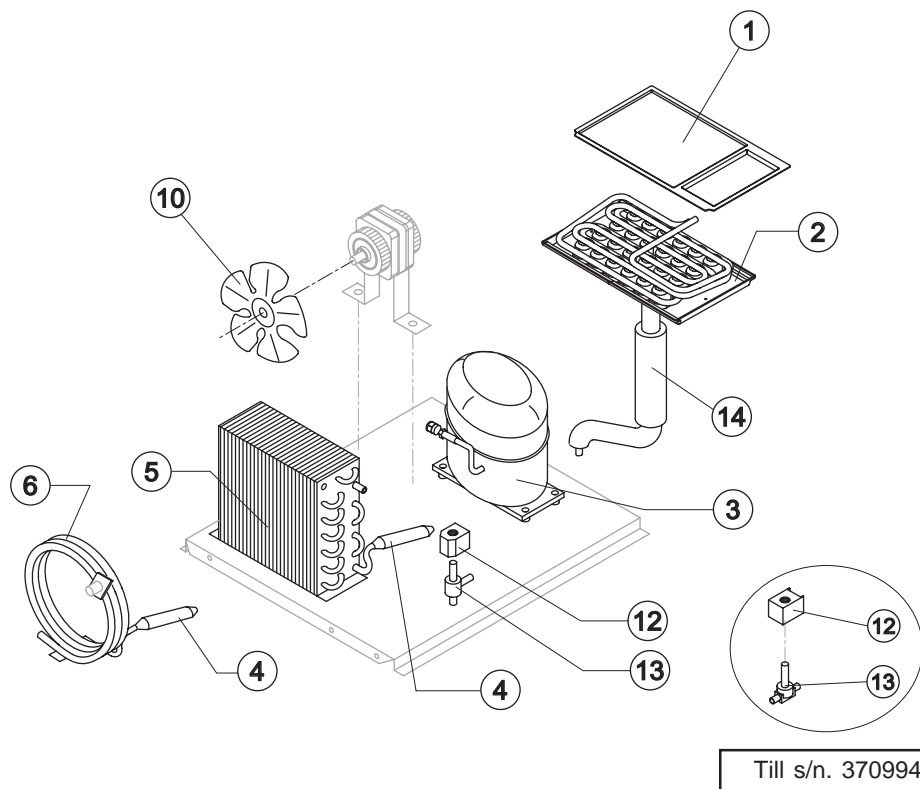


CB 184

SHELL - STAINLESS STEEL



Ref.	Spare Description	Code	
1	Left Side Panel	22713	
2	Top	C22714	
3	Rear Panel	21235	
4	Right Side Panel	22712	
6	Foot	10017	
7	Front Grid Panel	Current Version	221070
7	Front Grid Panel	Till s/n. 385216	22700
8	Dark Grey Door		10277



Common Parts

Ref.	Spare Description	Code
1	Evaporator Cover Panel	from s/n. 230067 10498
2	Evaporator	D10079
3	Compressor	See Table
4*	Molecular Drier	14009
12*	Hot Gas Valve Coil	See Table
13*	Hot Gas Valve Body	Current Version 20853
13	Hot Gas Valve Body	Till s/n. 370994 20410
14	Suctin Line	for the spare parts code give us the s/n.

Parts for Air-Cooled Version Only

Ref.	Spare Description	Code
5	Air Condenser	20094
10	Sucking Fan	20095

Parts for Water-Cooled Version Only

Ref.	Spare Description	Code
6	Water Condenser	Current Version 14593
6	Water Condenser	Till s/n. 370994 14348
10	Sucking Fan	Till s/n. 370994 10213

Ref. 3 - Compressor

Voltage	Code	Code
	Current Version	Till s/n. 416883
220-240V ~ 50Hz	23886	23436
220-230V ~ 60Hz	23494A	23494
110-115V ~ 60Hz	231212	23446

Ref. 12* - Hot Gas Valve Coil

Voltage	Code	Code
	Current Version	Till s/n. 370994
220-240V ~ 50Hz	23854	231294
220-230V ~ 60Hz	23854	231294
110-115V ~ 60Hz	23855	23256



Common Parts

Ref.	Spare Description	Code
1	Bulbe- holder pipe	20520
2	Foamed Bin	11016/E
3	Ice Cubes Slide	Current Version 10885
3	Ice Cubes Slide	Till s/n. 567305 K10626
4	Slide Keep Plate	10142
6	Panel with Flags	Till s/n. 380376 K10532
7*	Overflow Pipe	13028
8*	Evaporator Feeding Pipe Assy	C20535
9	Inner Basin	10064
10	Water Outlet Nipple	10472
11	Gasket	13219
12	Semirigid Polyethylene Gasket	13007
13	Bin Discharge Nut	10096
15	Fixing Screw	Till s/n. 380376 20009
16	Flags ABS Support	Current Version 10530
17	Flags with Rod	Current Version 10532

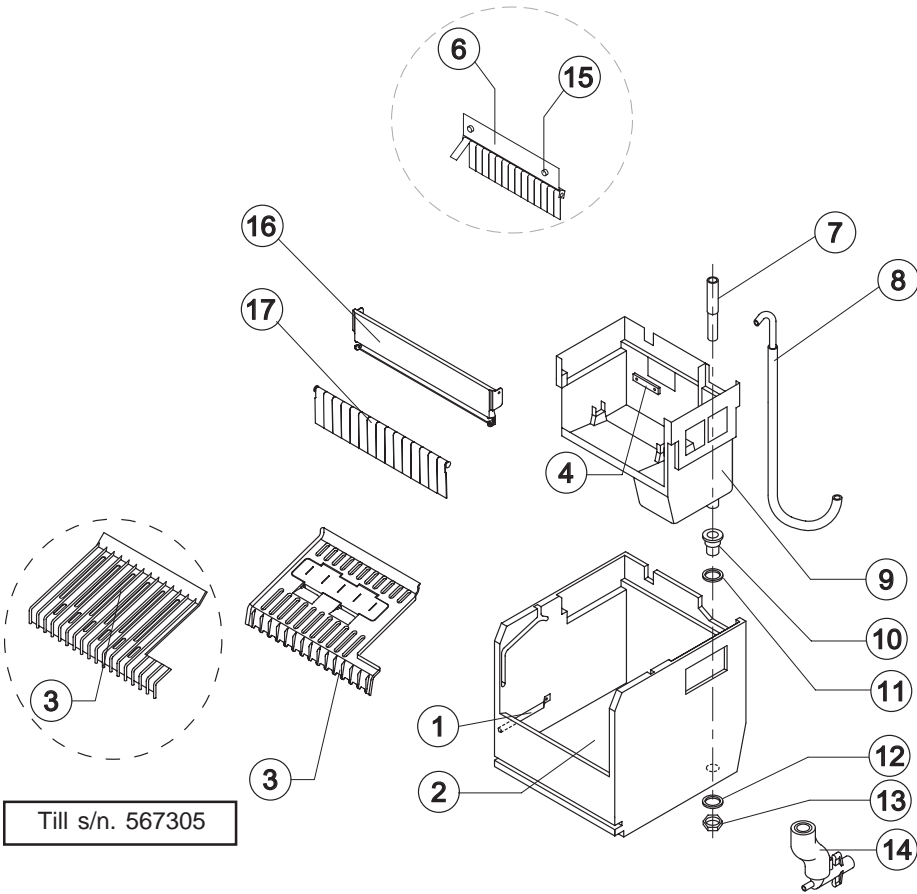
Parts for Air-Cooled Version Only

Ref.	Spare Description	Code
14	Discharges Manifold	C10006

Parts for Water-Cooled Version Only

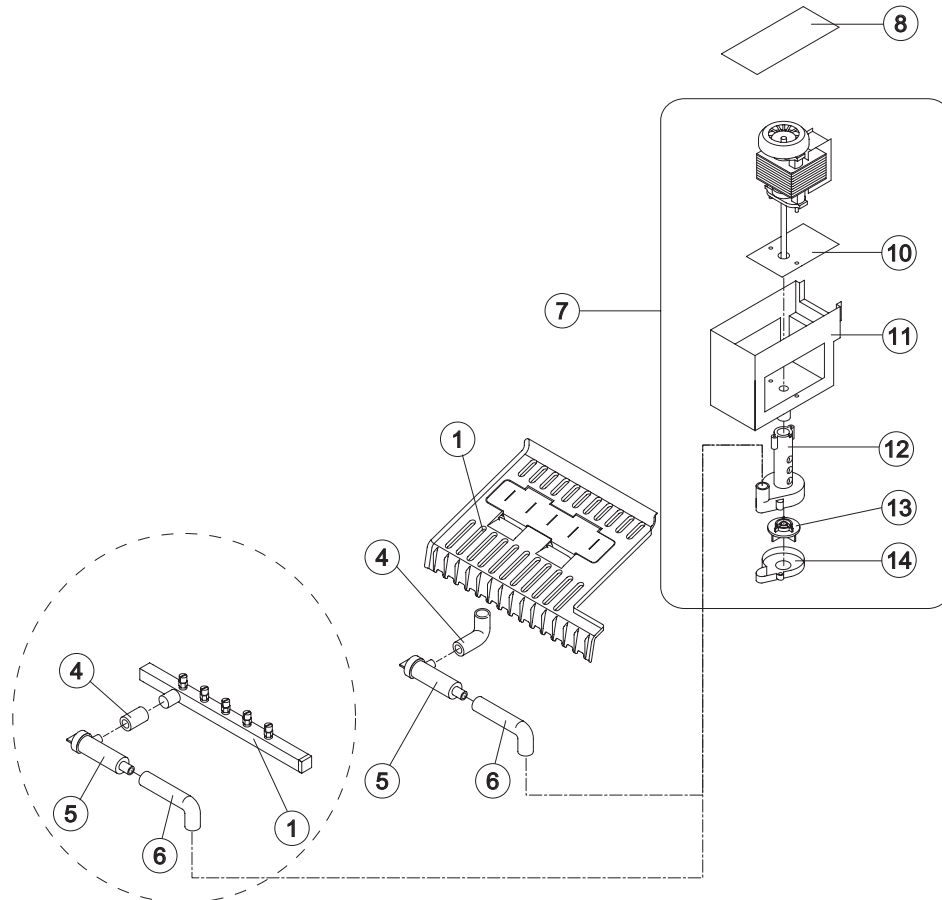
Ref.	Spare Description	Code
14	Discharges Manifold	C26452

Rev. 17 - 12/03/2019





Rev. 17 - 12/03/2019



Till s/n. 567305

Ref.	Spare Description	Code
1*	Sprayers Bar Assembly	Current Version 10885
1*	Sprayers Bar Assembly	Till s/n. 567305 K10626
4	Filter-Sprayers Bar Connection Pipe	Current Version 13005
4	Filter-Sprayers Bar Connection Pipe	Till s/n. 567305 13056
5*	Pump Filter	10139
6	Pump-Filter Connection Pipe	13055
7*	Pump Assy	See Table
8	Pump Cover	10647
10	Heat Dissipator	22430
11	Pump Motor Box	10073
12	Pump Body	10065
13	Pump Impeller	10066
14	Diffusor	10067

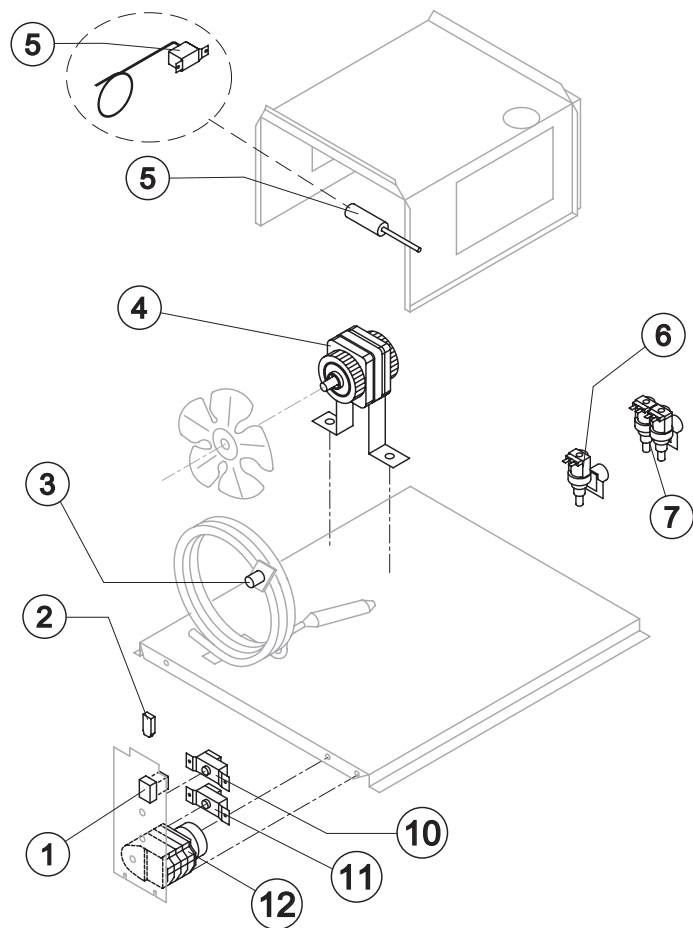
Ref. 7* - Pump Assy

Voltage	Code	Code
	Current Version	Till s/n. 416883
220-240V ~ 50Hz	RC23858	RC23076
220-230V ~ 60Hz	C23892	C23270
110-1150V ~ 60Hz	C23893	C23271



CB 184

ELECTRIC PARTS



Common Parts

Ref.	Spare Description	Code
1*	Green Light Switch (On-Off)	Current Version
1	Green Light Switch (On-Off)	Till s/n. 385216
10*	Bin Thermostat	R23005
11*	Evaporator Thermostat	R23591
12*	Timer	See Table

Parts for Air-Cooled Version Only

Ref.	Spare Description	Code
4*	Fan Motor	See Table
6*	1 Way- Water Inlet Valve	See Table

Parts for Water-Cooled Version Only

Ref.	Spare Description	Code
2	Anti Radio Interference Filter	Only 220-240V ~ 50Hz
3*	Safety Thermostat	C23114
4	Fan Motor	Till s/n. 370994
5*	Condenser Pressure Switch	Current Version
5	Condenser Pressure Switch	Till s/n. 447841
7*	2 Ways- Water Inlet Valve	See Table

Ref. 4* - Fan Motor

Voltage	Code
220-240V ~ 50Hz	23029
220-230V ~ 60Hz	23029
110-115V ~ 60Hz	23683

Ref.6* - 1 Way-Water Inlet Valve

Voltage	Code
220-240V ~ 50Hz	23497
220-230V ~ 60Hz	23497
110-115V ~ 60Hz	23499

Ref. 7* - 2 Ways-Water Inlet Valve

Voltage	Code
220-240V ~ 50Hz	23498
220-230V ~ 60Hz	23498
110-115V ~ 60Hz	23500

Ref. 12* - Timer

Voltage	Code
220-240V ~ 50Hz	23247
220-230V ~ 60Hz	231077
110-115V ~ 60Hz	23258