



VM 500

# LIST OF THE EXPLODED VIEWS

From s/n. 297566 up Today



SHELL ASSY

COOLING SYSTEM

HYDRAULIC CIRCUIT

SPRAYER PUMP

ELECTRIC PARTS

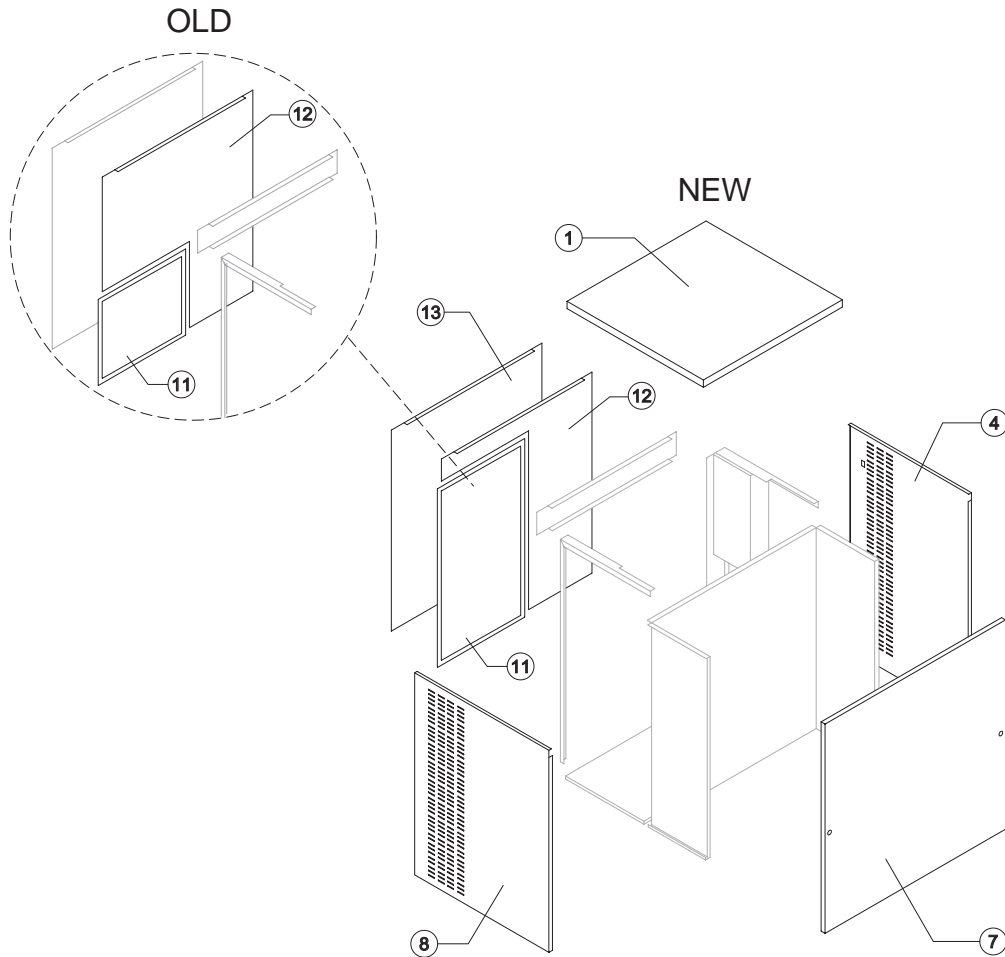
Rev. 13 - 12/03/2019



# VM 500

From s/n. 297566 up Today

# SHELL ASSY



### Common Parts

Ref.	Spare Description	Code
1	Top Assembly	C22813
4	Right Side Panel	22408
7	Front Panel Assembly	C22816
8	Left Side Panel	22822
10	Rear Cross Bar	22817

### Parts for Air-Cooled Version Only

Ref.	Spare Description	Code
11*	Filter	See Table
12	Rear Panel	See Table

### Parts for Water-Cooled Version Only

Ref.	Spare Description	Code
13	Rear Panel	21285

#### Ref. 11 - Filter

Version	Code
NEW	18178
OLD	18163

#### Ref. 12 - Rear Panel

Version	Code
NEW	21324
OLD	21286

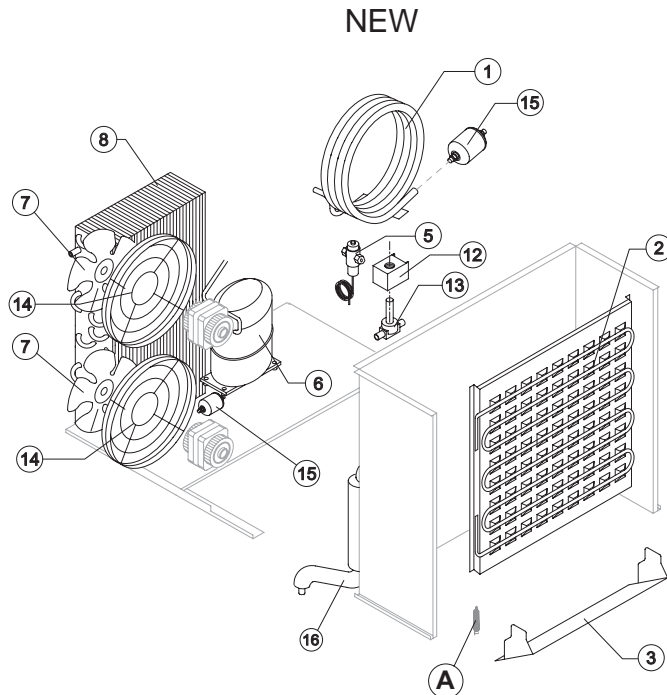
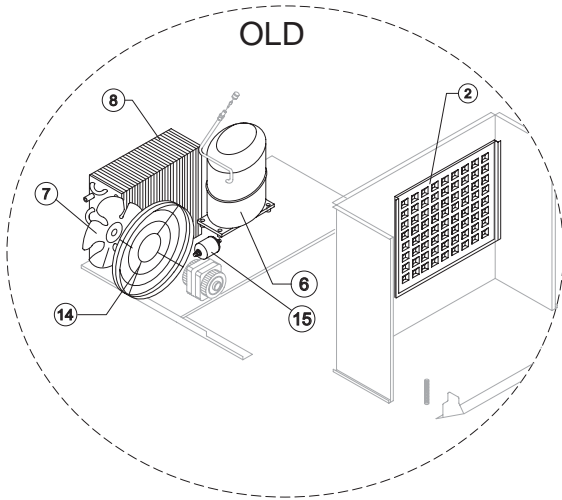
Rev. 13 - 12/03/2019



# VM 500

From s/n. 297566 up Today

# COOLING SYSTEM



### Common Parts

Ref.	Spare Description	Code
2	Evaporator	See Table
3	Horizontally Hinged Panel	22608
6	Compressor	See Table
12*	Hot Gas Valve Coil	231294
13*	Hot Gas Valve Body	20409
15*	Liquid Line Drier	14084
16	Suctin Line	for the spare parts code give us the s/n.

### Parts for Air-Cooled Version Only

Ref.	Spare Description	Code
7	Sucking Fan	See Table
8	Air Condenser	See Table
14	Fan Motor Grid	12054

### Parts for Water-Cooled Version Only

Ref.	Spare Description	Code
1	Water Condenser	14081
5	Pressostatic Valve	20210



Eliminated the Spring (horizontally hinged panel) ref. A, suggested removal even from the models where they are present.

### Ref. 1 - Evaporator

Version	Code
NEW	D10228
OLD	D10227

### Ref. 6 - Compressor

Tension	NEW	OLD
220-240V ~ 50Hz	23840	23543
220-230V ~ 60Hz	23897	23642

### Ref. 7 - Sucking Fan

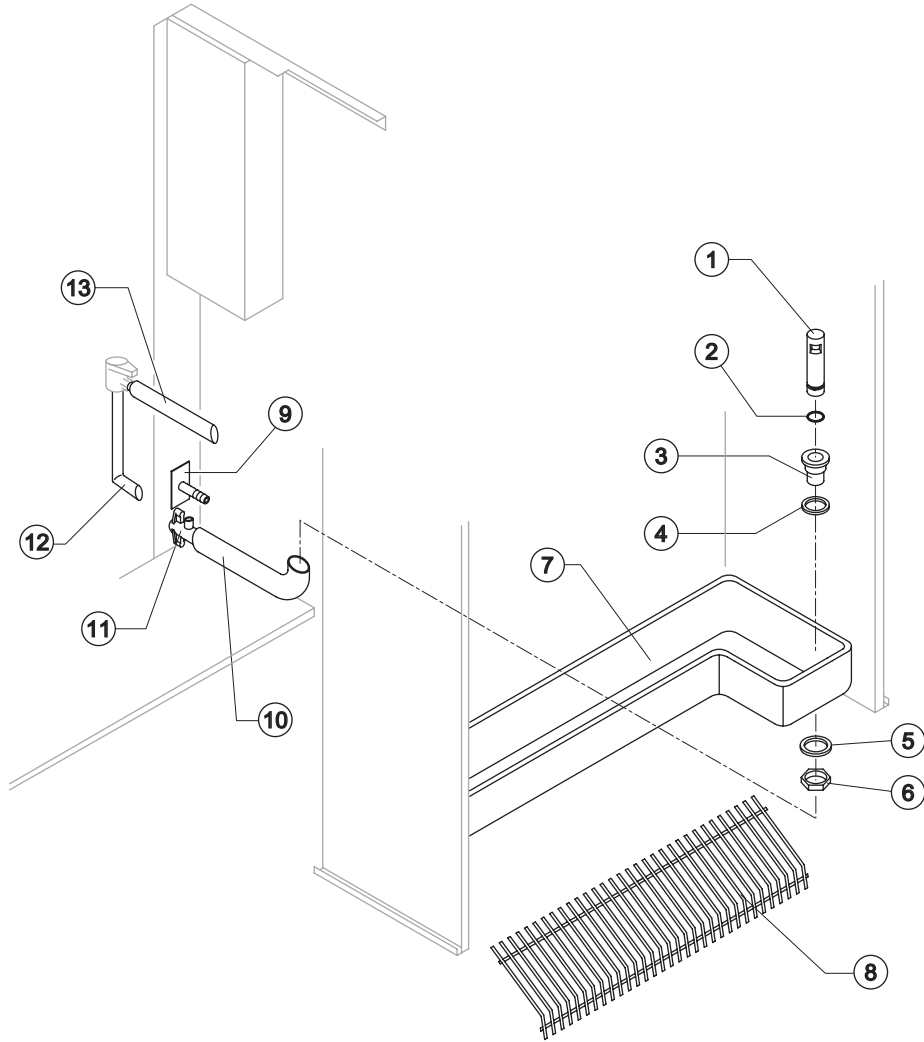
Voltage	Code
NEW	20153
OLD	20407

### Ref. 8 - Air Condenser

Voltage	Code
NEW	20406
OLD	20670



Rev. 13 - 12/03/2019



### Common Parts

Ref.	Spare Description	Code
1*	Overflow Pipe	10133
2*	OR Gasket for Overflow Pipe	20233
3	Overflow Pipe Nipple	10471
4	Silicone Gasket	13219
5	Semirigid Polyethylene Gasket	13007
6	Bin Discharge Nut	10096
7	Water Basin	10395
8	Ice Cubes Slide	D12057
10	Overflow Pipe Nipple	13120
11	Drain Nipple	10431
12	Discharge Valve Connection Pipe - Discharge	13040
13	Discharge Valve Connection Pipe ("T" Shaped)	13102

### Parts for Water-Cooled Version Only

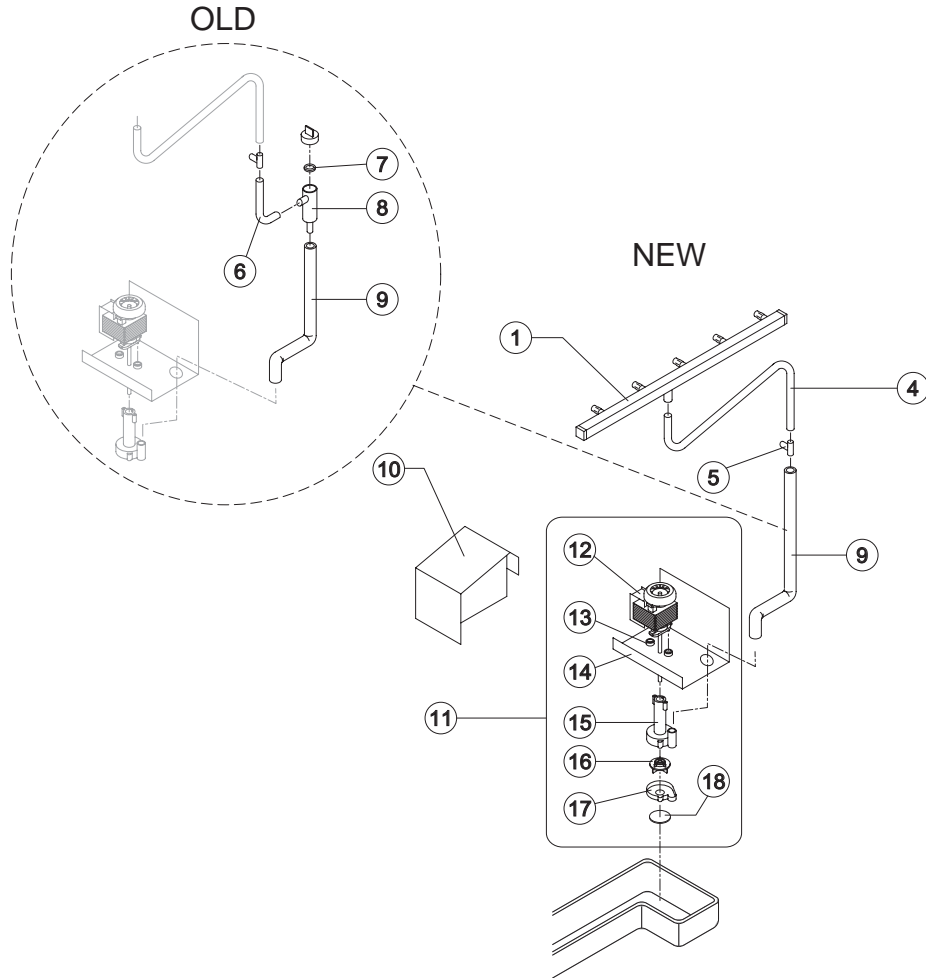
Ref.	Spare Description	Code
9	Connection with Plate	C20462



# VM 500

From s/n. 297566 up Today

# SPRAYER PUMP



Ref.	Spare Description	Code
1*	Sprayers Bar Assembly	C20465
4	Sprinkler Bar Connecting Pipe ("T" Shaped)	13134
5	Plastic "T" ø 20	10082
6	Sprayers Feeding Pipe	OLD version 13005
7	Pump Filter Gasket	OLD version 13080
8	Pump Filter	OLD version 10139
9	"T" - Pump Connection Pipe	See Table
10	Protection Pump Panel	22804
11*	Pump Assembly	See Table
12	Pump	See Table
13	Pump Motor Shim	20510
14	Pump Motor Support	22799
15	Pump Body	10065
16	Pump Impeller	See Table
17	Diffusor	10067
18	Pump Filter	20518

### Ref. 9 - "T" - Pump Connection Pipe

Version	Code
NEW	13113
OLD	13157

### Ref. 11\* - Pump Assy

Voltage	Code
220-240V ~ 50Hz	C23624
220-230V ~ 60Hz	C23616

### Ref. 12 - Pump

Voltage	Code
220-240V ~ 50Hz	R23073
220-230V ~ 60Hz	23187

### Ref. 16 - Pump Impeller

Voltage	Code
220-240V ~ 50Hz	10066
220-230V ~ 60Hz	10138

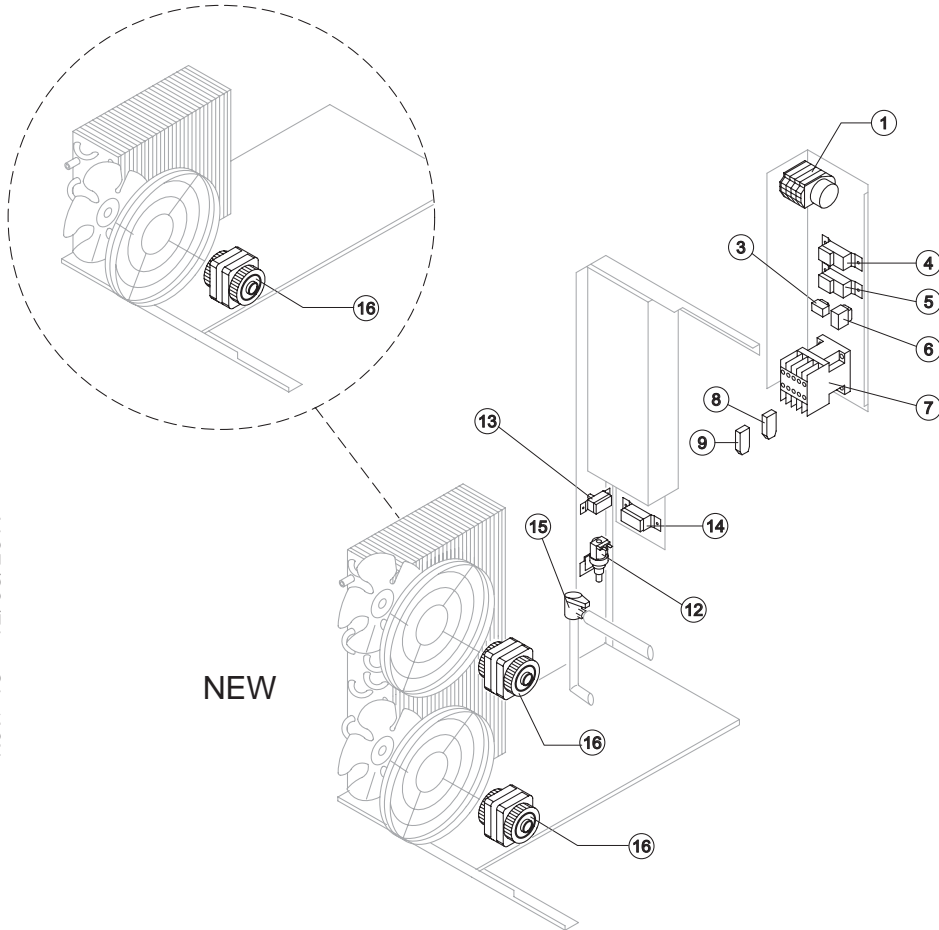


# VM 500

From s/n. 297566 up Today

# ELECTRIC PARTS

OLD



NEW

### Common Parts

Ref.	Spare Description	Code
1*	Timer	See Table
3	"Cleaning" Switch	23619
4*	Bin Thermostat	R23005
5*	Evaporator Thermostat	R23597
6*	Green Light Switch (On-Off)	23327
7*	Contactor	See Table
12*	1 Way- Water Inlet Valve	23787
13	Safety Pressure Switch	23342
15*	Water Outlet Valve	23537

### Parts for Air-Cooled Version Only

Ref.	Spare Description	Code
8	Anti Radio Interference Filter	Only T11 C23459
9	Anti Radio Interference Filter	Only T11 C23458
14*	Condenser Pressure Switch	23175
16*	Fan Motor	23121

### Ref. 1\* - Timer

Voltage	Code
220-240V ~ 50Hz	23635
220-230V ~ 60Hz	23632

### Ref. 7\* - Contactor

Voltage	Code
220-240V ~ 50Hz	23147
220-230V ~ 60Hz	23963